



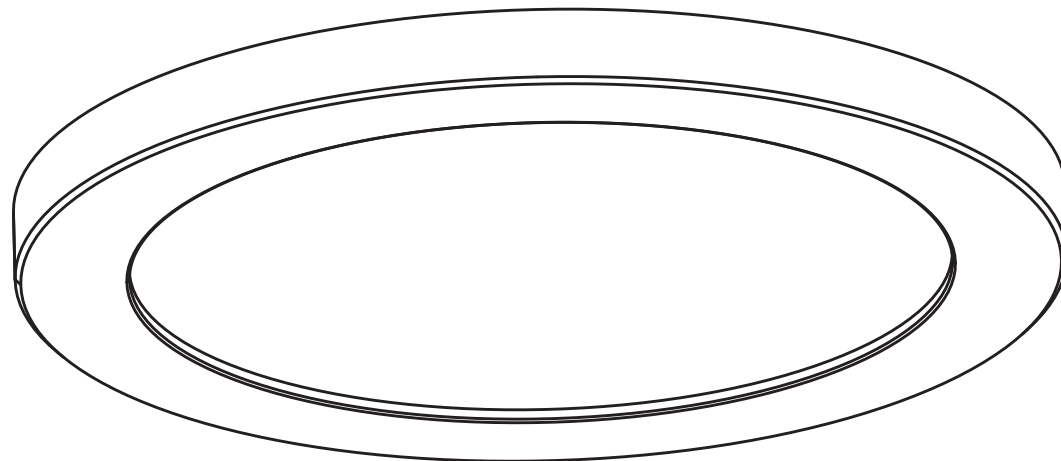
SAN MARINO INDUSTRIES LLC
Italian Design and Innovation

Model# MXL1190-11LED26K92750S



LED
Technology

LED SLIM FLUSHMOUNT



Questions, problems, missing parts? Before returning to your retailer, call our customer service department at +1-984 250 8353.

<https://www.sanmarinoindustries.com>

INSTALLATION INSTRUCTION

SAFETY INFORMATION

Please read and understand this entire manual before attempting to assemble, operate or install the product. Failure to do so could lead to electric shock, fire or other injuries that could be hazardous or even fatal.

- Be sure the electricity to the wires you are working on is shut off. Either remove the fuse or turn off the circuit breaker.
- Changes or modifications not expressly approved by the party responsible for compliance could void the user's authority to operate the equipment.

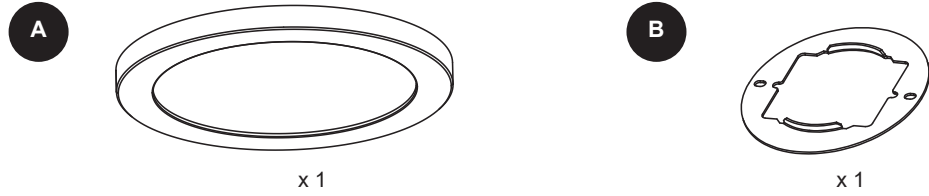
NOTICE

- This device complies with Part 15 of the FCC Rules. Operation is subject to the following two conditions: (1) This device may not cause harmful interference, and (2) this device must accept any interference received, including interference that may cause undesired operation. This equipment has been tested and found to comply with the limits for a Class B digital device, pursuant to part 15 of the FCC Rules. These limits are designed to provide reasonable protection against harmful interference in a residential installation. This equipment generates, uses and can radiate radio frequency energy and, if not installed and used in accordance with the instructions, may cause harmful interference to radio or television reception, which can be determined by turning the equipment off and on. The user is encouraged to try to correct the interference by one or more of the following measures:
 - Reorient or relocate the receiving antenna.
 - Increase the separation between the equipment and the receiver.
 - Connect the equipment into an outlet on a circuit different from that to which the receiver is connected.
 - Consult the dealer or an experienced radio/TV technician for help.

WARNING

- Risk of fire. Use ac120 60hz circuits
- Risk of fire or electric shock. Luminaire wiring and electrical parts may be damaged when drilling for installation of led retrofit kit. Check for enclosed wiring and components.
- Risk of fire or electric shock. Led retrofit kit installation requires knowledge of luminaires electrical systems. If not qualified, do not attempt installation. Contact a qualified electrician.
- Risk of fire or electric shock. Install this kit only in luminaires that have the construction features and dimensions shown in the photographs and/or drawings and where the input rating of the retrofit kit does not exceed the input rating of the luminaire.
- To prevent wiring damage or abrasion, do not expose wiring to edges of sheet metal or other sharp objects.
- Suitable for wet location.
- The clearance between the luminous surface and closet contents must be at least 12 inches.
- This fixture should be installed by a qualified licensed electrician. All electrical connections must be in accordance with local and national electrical code (NEC) standards.

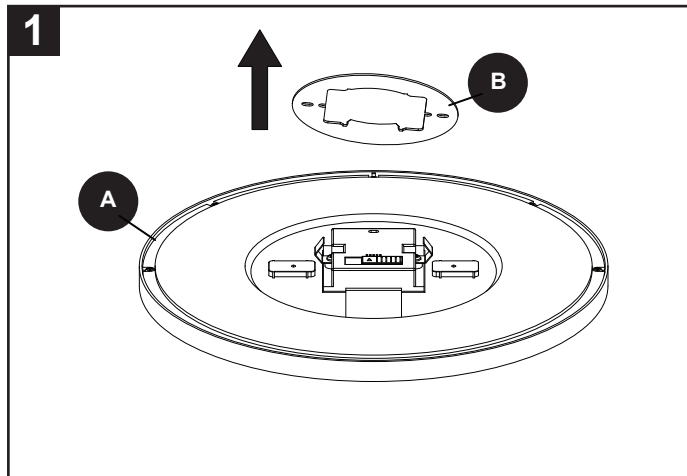
PACKAGE CONTENTS



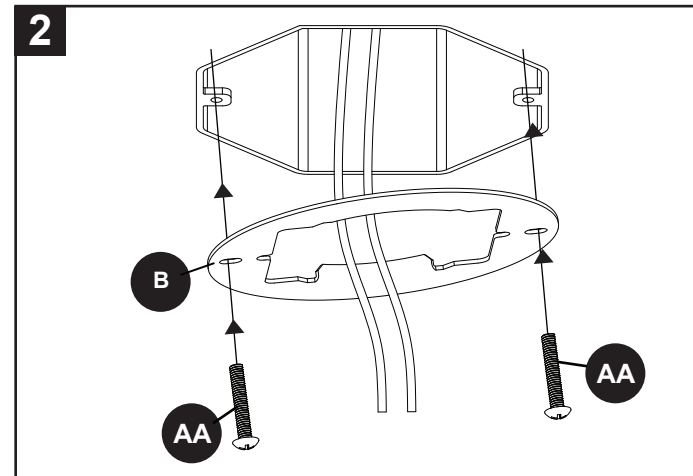
HARDWARE CONTENTS



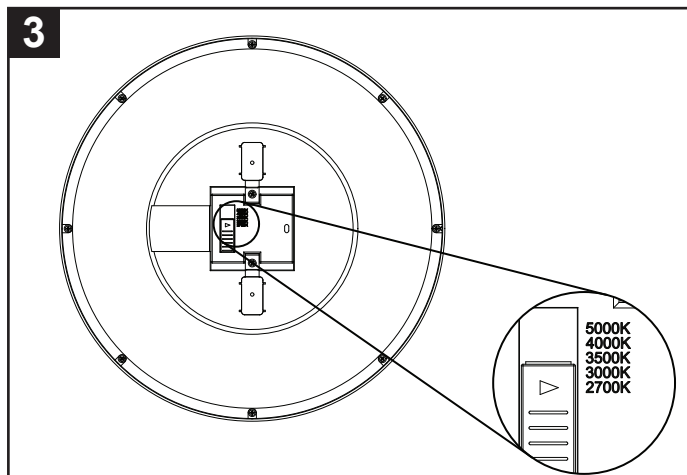
INSTALLATION INSTRUCTIONS



1.Remove mounting plate (B) from the light fixture.

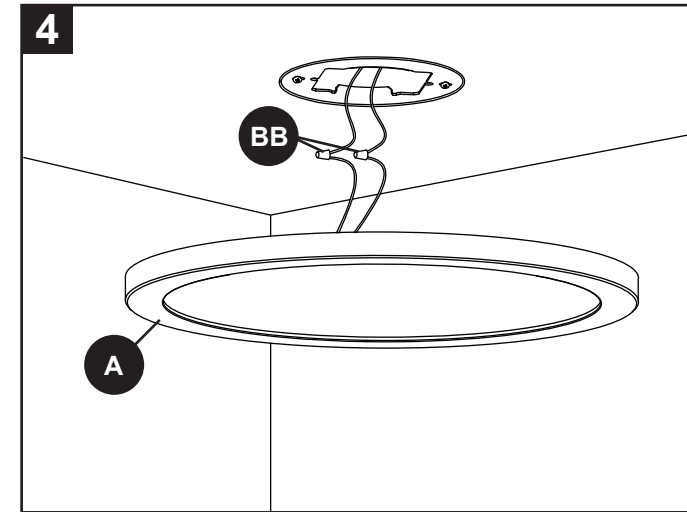


2.Attach mounting plate (B) to Junction Box with screws (AA).

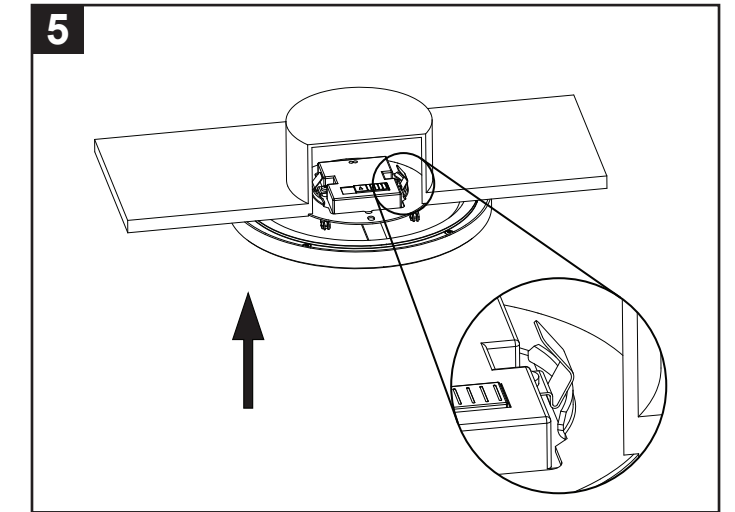


1.Select desired color temperature.

INSTALLATION INSTRUCTIONS



3.Use the wire connector (BB) to connect the N (neutral wire) from the fixture to the N (neutral wire) from the outlet box, connect the L (live wire) from the fixture to the L (live wire) from the outlet box.



4.Facing up the lighting and embedded in the board.

CARE AND MAINTENANCE

Clean with a mild, non-abrasive glass cleaner and soft cloth. Do NOT use solvents or clean-ers containing abrasive agents. When cleaning the fixture, make sure the power is turned off, and any liquid spray should be applied to the cleaning cloth and not sprayed directly onto the fixture itself.

TROUBLESHOOTING

Problem	Possible Solution	Corrective Action
Fixture does not light.	<ol style="list-style-type: none"> Power is off. Incorrect wire connection Defective wall switch 	<ol style="list-style-type: none"> Check circuit break or wall switch. Check wire splice Replace switch
Circuit breaker trips when light is turned on.	Crossed wires or power wire is grounded out.	Verify wires are correctly connected.